

F900 SERIES



i91104C / i91105C Induction Ranges

Spares Information



i91104C/i91105C-Spares-1217

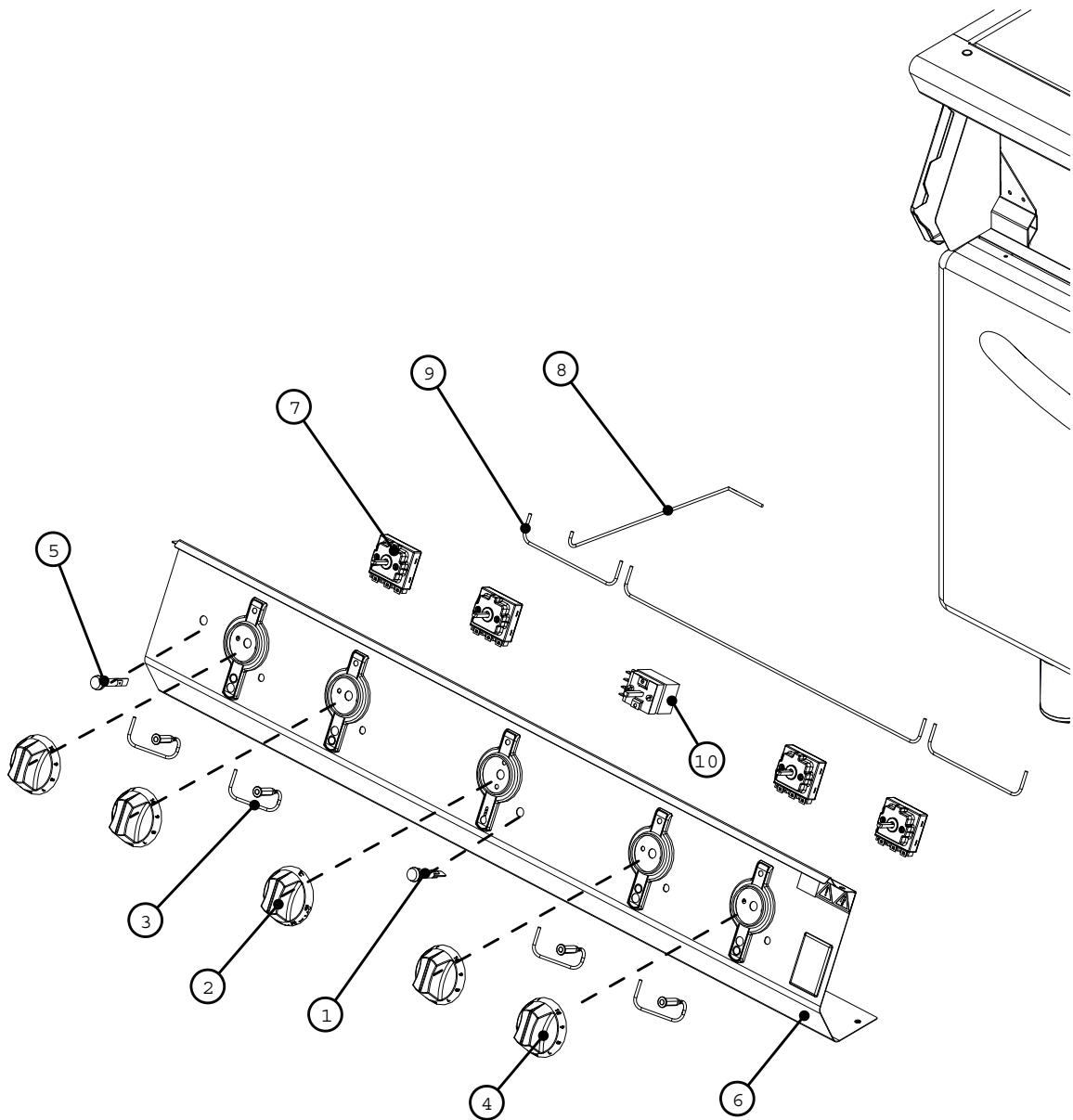
Falcon Foodservice Equipment

Wallace View, Hillfoots Road, Stirling FK9 5PY t: +44 (0) 1786 455 200 f: 08000 275 595
info@falconfoodservice.com www.falconfoodservice.com

F900 SERIES

i91104C / i91105C Induction Ranges

Fitments and Controls





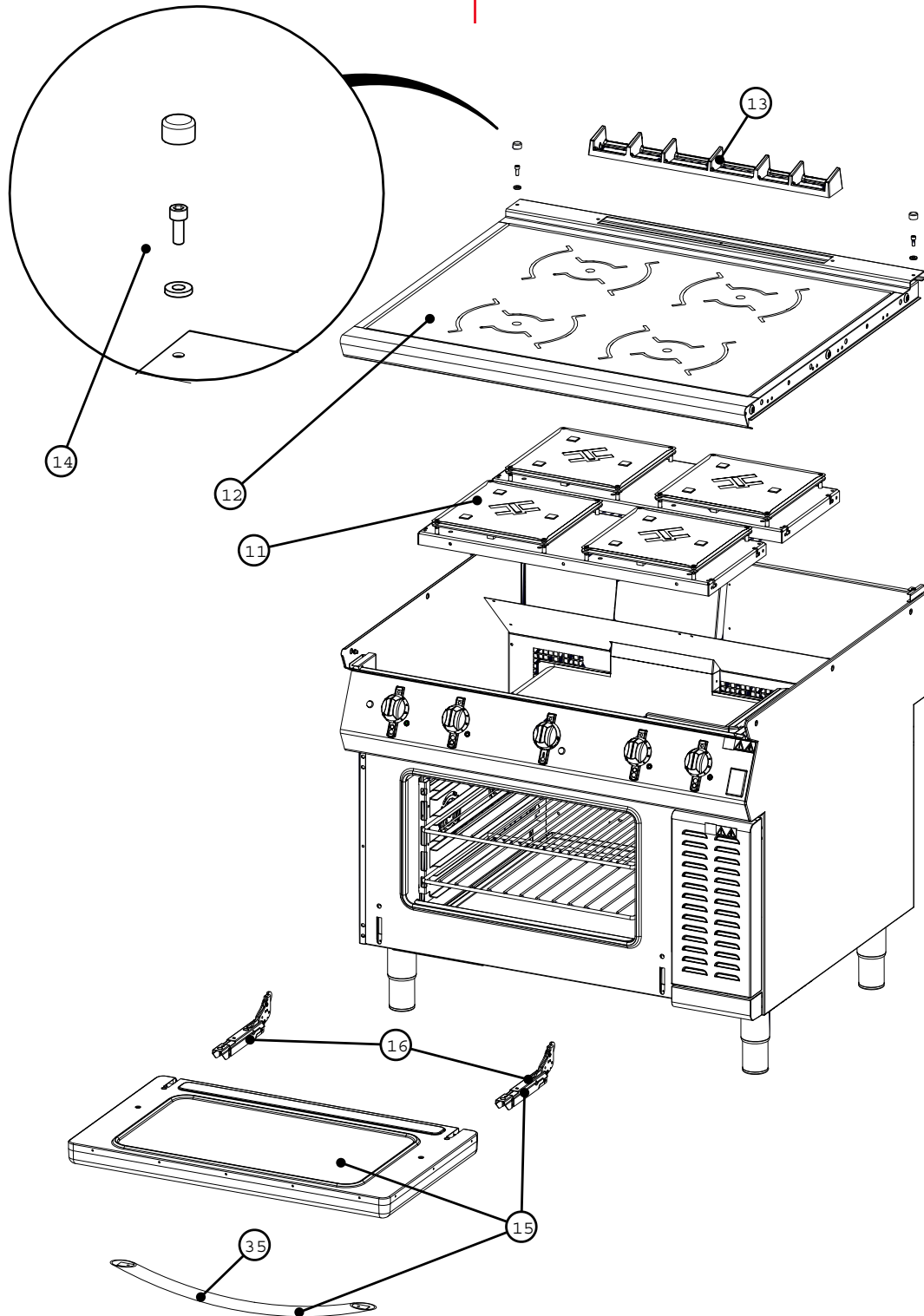
Fitments and Controls

| <u>Item</u> | <u>Description</u> | <u>Spares No.</u> | <u>Part No.</u> |
|-------------|-------------------------------|-------------------|-----------------|
| 1. | Circuit pilot light - amber | 730962040 | RA9250 |
| 2. | Oven temperature control knob | 733980002 | RA9348 |
| 3. | Indicator - green c/w cable | 734250017 | R6698 |
| 4. | Control knob | 733920000 | RA9135 |
| 5. | Mains pilot light - red | 730962010 | RA9249 |
| 6. | Control panel | 733980000 | 690218 |
| 7. | LIN switch | 734250016 | R6697 |
| 8. | Generator cable | 734250019 | R6700 |
| 9. | Link cable for LIN switch | 734250018 | R6699 |
| 10. | Oven temperature switch | 535420006 | R4753 |

F900 SERIES

i91104C / i91105C Induction Ranges

Hob Fitments





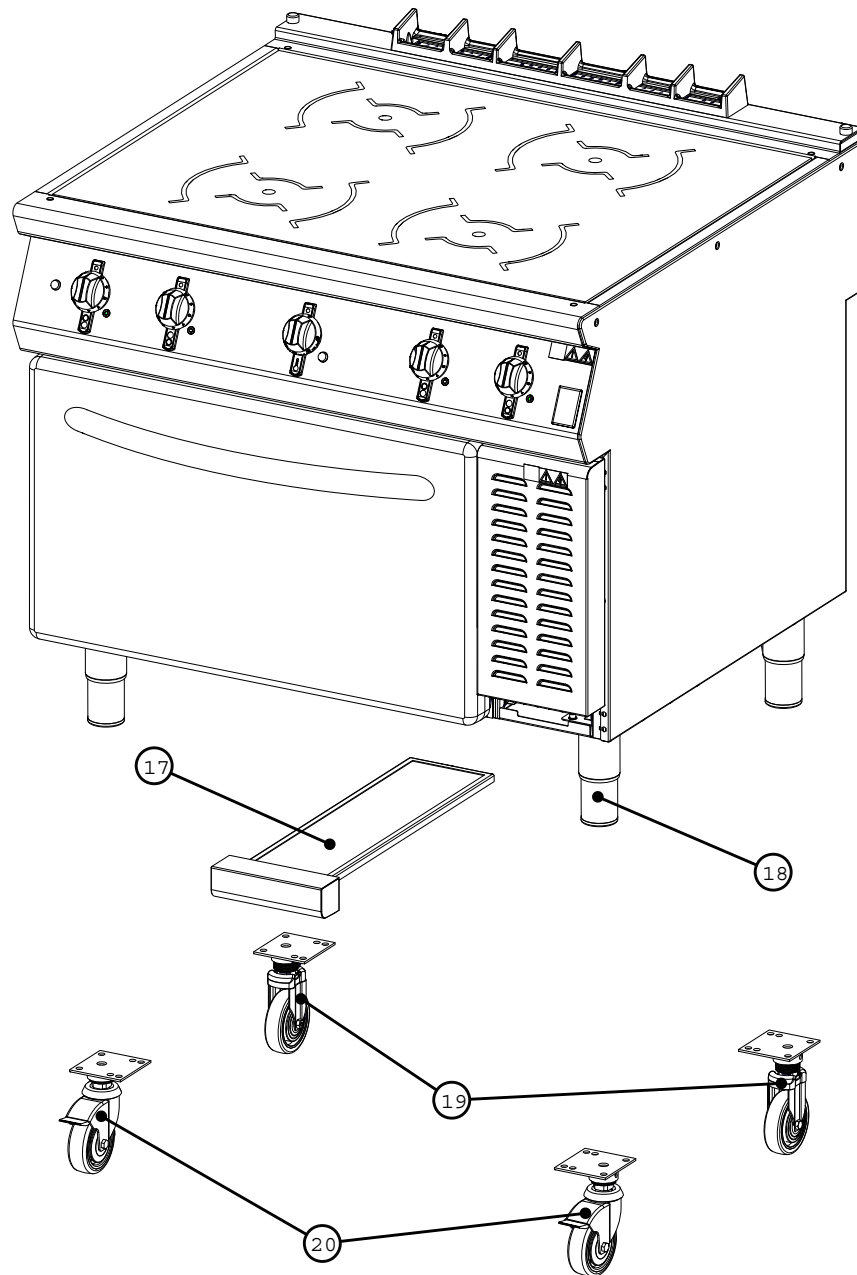
Hob Fitments

| <u>Item</u> | <u>Description</u> | <u>Spares No.</u> | <u>Part No.</u> |
|-------------|----------------------------|-------------------|-----------------|
| 11. | Induction coil and fix kit | 734250002 | 899347 |
| 12. | Induction hob assembly | 733940001 | 690213 |
| 13. | Flue capper - 600mm | 533410002 | RT704002 |
| 14. | Screw cap kit | 533550009 | 690049 |
| 15. | Oven door assembly | 533450010 | RA9216 |
| 16. | Door hinge assembly | 533450012 | 690110 |
| 35. | Oven door handle | 533450011 | 690109 |

F900 SERIES

i91104C / i91105C Induction Ranges

Feet / Castors / Filter





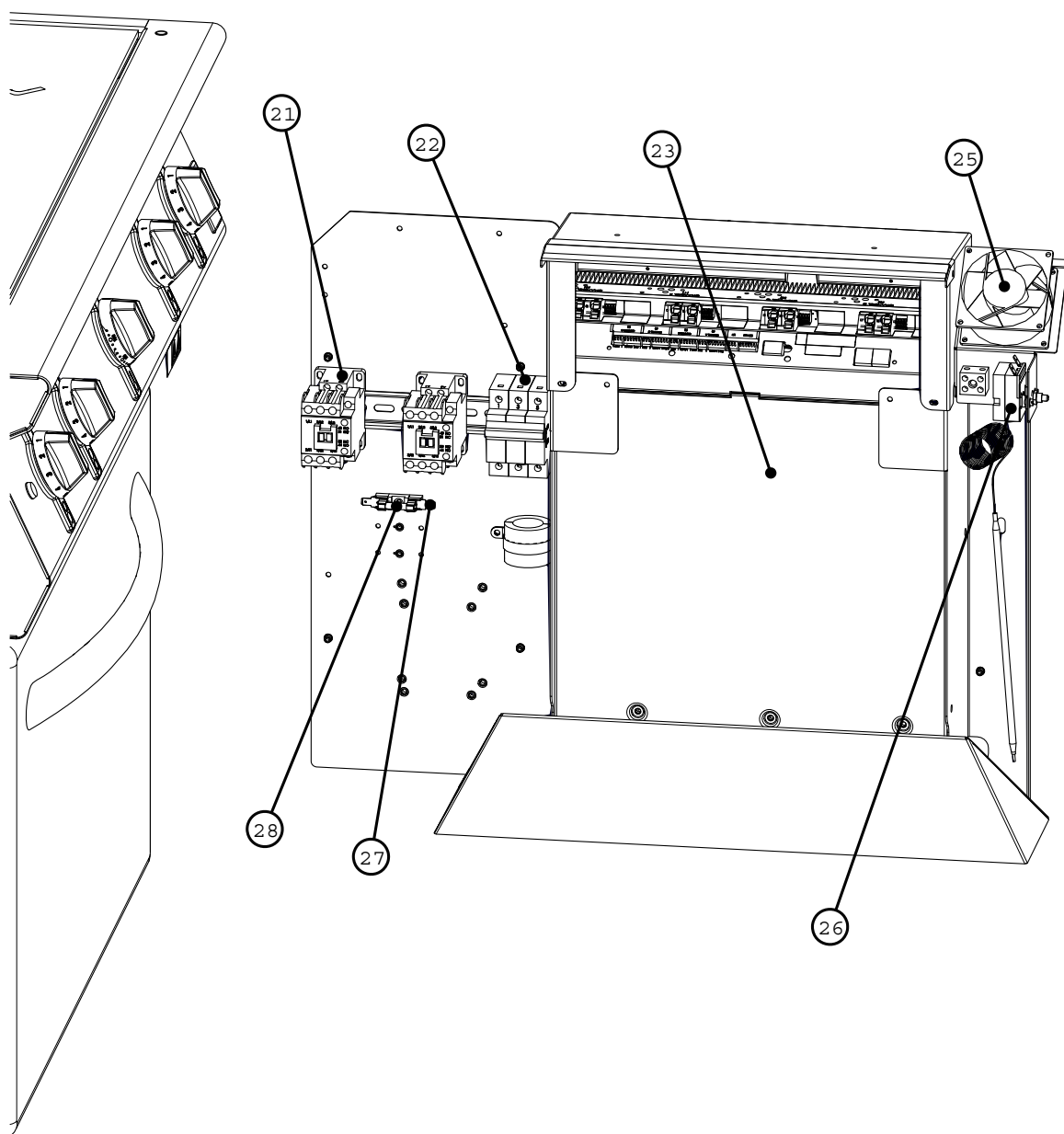
Feet / Castors / Filter

| <u>Item</u> | <u>Description</u> | <u>Spares No.</u> | <u>Part No.</u> |
|-------------|----------------------------------|-------------------|-----------------|
| 17. | Air filter assembly | 734260002 | R6640 |
| 18. | Adjustable leg (stainless steel) | 535480067 | R6285 |
| 19. | Fixed castor (set of 2) | 530964340 | 600284 |
| 20. | Swivel castor (set of 2) | 535400222 | 600286 |

F900 SERIES

i91104C / i91105C Induction Ranges

Electrics





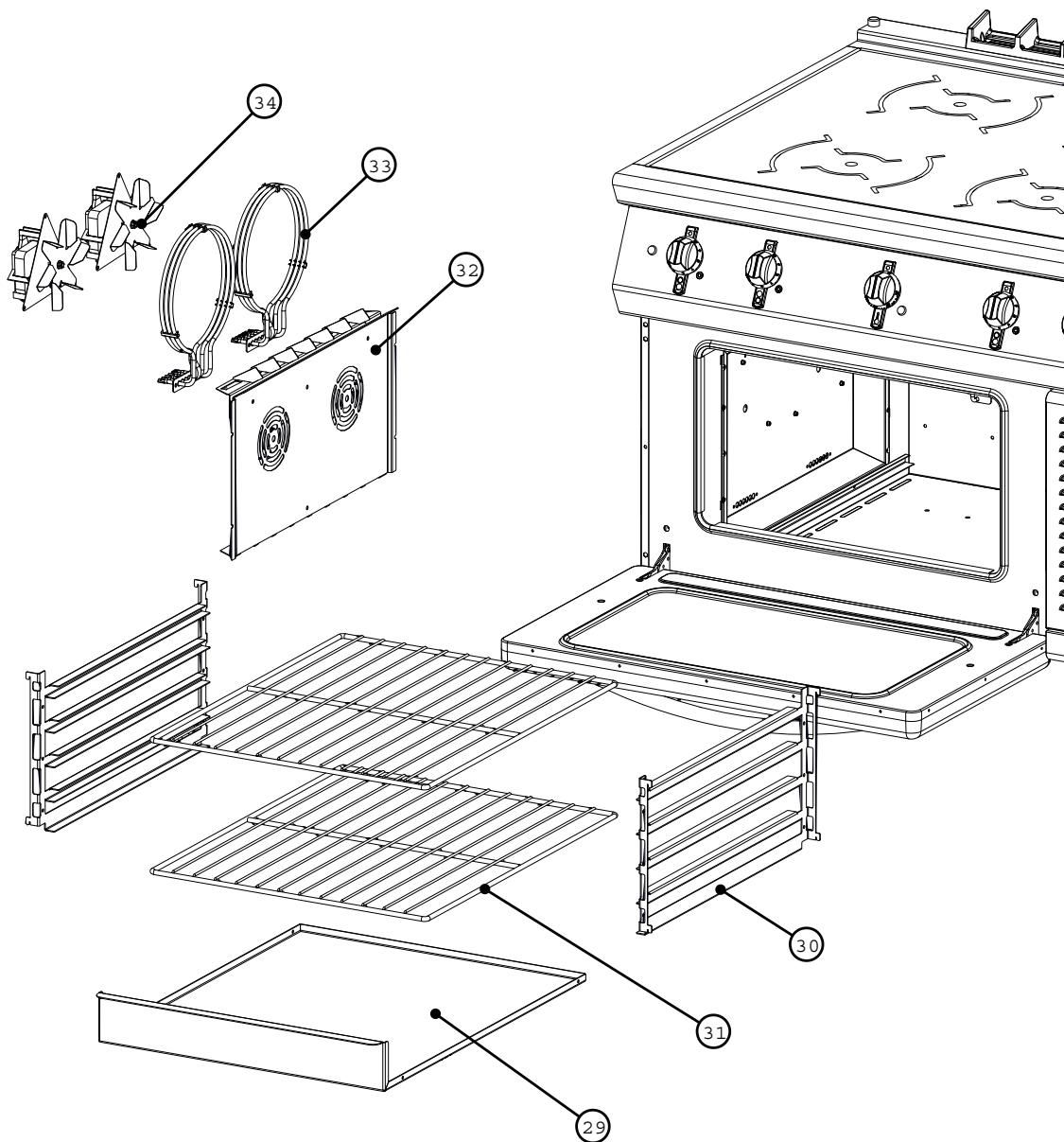
Electrics

| <u>Item</u> | <u>Description</u> | <u>Spares No.</u> | <u>Part No.</u> |
|-------------|---------------------------------|-------------------|-----------------|
| 21. | Contactora MC22B1A1B (230V) | 734510010 | RV147 |
| 22. | MCB-740A 3P Type D | 536430019 | R2927 |
| 23. | Induction quad generator (14kW) | 734250012 | R6492 |
| 24. | Induction quad generator (20kW) | 734250001 | R5966 |
| 25. | Cooling fan | 534500190 | R7272 |
| 26. | Safety lockout device | 733940002 | RA9347 |
| 27. | Fuse holder | 734310510 | RFF40 |
| 28. | Fuse 2A (anti surge) | 734243006 | R2292 |

F900 SERIES

i91104C / i91105C Induction Ranges

Oven Fitments





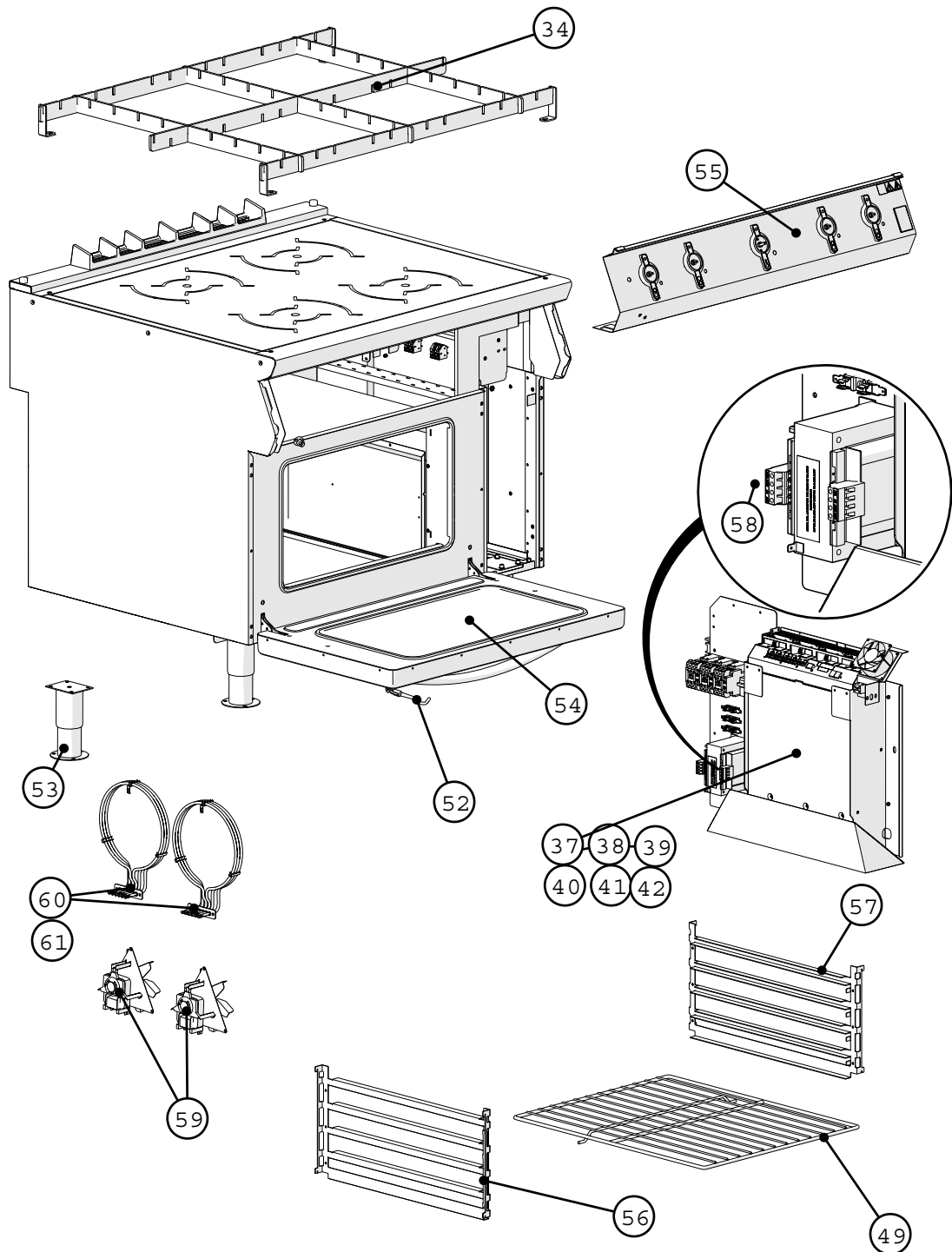
Oven Fitments

| <u>Item</u> | <u>Description</u> | <u>Spares No.</u> | <u>Part No.</u> |
|-------------|---------------------|-------------------|-----------------|
| 29. | Oven base tray | 733980003 | P700003 |
| 30. | Shelf hanger | 733980004 | T703745 |
| 31. | Oven shelf | 525270000 | R6488 |
| 32. | Oven baffle | 733980005 | 690227 |
| 33. | Oven element (230V) | 733980001 | RA9349 |
| 34. | Oven fan | 535420010 | RZZ263 |

F900 SERIES

i91104C / i91105C Induction Ranges (Offshore)

Unit Spares





Unit Spares

| <u>Item</u> | <u>Description</u> | <u>Spares No.</u> | <u>Part No.</u> |
|-------------|---|-------------------|-----------------|
| 34. | Storm rail (four zone) | 733940004 | 690220 |
| 37. | Induction quad generator (14kW) 400V 3~ | 734250012 | R6492 |
| 38. | Induction quad generator (14kW) 440V 3~ | 734060006 | R927 |
| 39. | Induction quad generator (14kW) 440V 3N~ | 734060006 | R927 |
| 40. | Induction quad generator (20kW) 400V 3~ | 734250001 | R5966 |
| 41. | Induction quad generator (20kW) 440V 3~ | 734060018 | R906 |
| 42. | Induction quad generator (20kW) 440V 3N~ | 734060018 | R906 |
| 49. | 2/1 locking grid shelf | 733440013 | RA9332 |
| 52. | Door catch | 733440012 | 690201 |
| 53. | Adjustable foot | 730870004 | R6624 |
| 54. | Oven door | 733440011 | 690193 |
| 55. | Control panel | 733980008 | 690230 |
| 56. | Shelf hanger LH | 733980009 | 690231 |
| 57. | Shelf hanger RH | 733980010 | 690232 |
| 58. | Transformer 250 VA | 733980011 | RA9390 |
| 59. | Oven fan 50/60 Hz | 535420010 | RZZ263 |
| 60. | Oven element - 3.2kW (230V) | 733980001 | RA9349 |
| 61. | Oven element - 3.2kW (254V) | 733980007 | RA9382 |